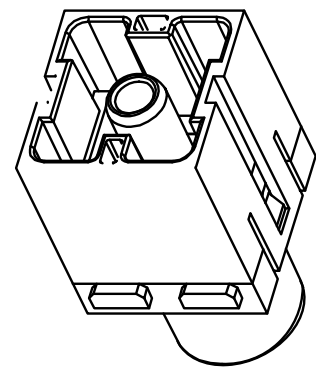
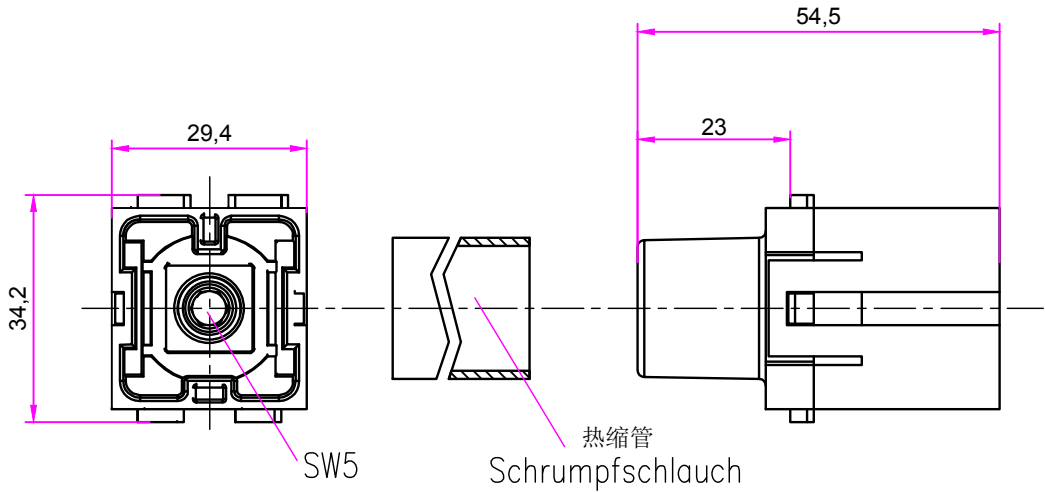


REVISION DATA				
SYM	ECN	DESCRIPTION	DATE	APPROVED


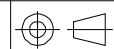


技术参数:

插芯:
 插针数: 1
 额定电流: 200A
 工作电压: 1000V
 额定耐受脉冲电压: 8KV
 污染等级: 3
 依据UL的额定电压: 600V
 绝缘阻抗: $\geq 10^9 \Omega$
 材料: 聚碳酸酯
 颜色: RAL 7032(浅灰色)
 温度范围: $-40^\circ\text{C} - +125^\circ\text{C}$
 依据UL94的阻燃等级: V0
 可插拔次数: ≥ 500
 插针:
 接线方式: 轴向螺栓连接
 材料: 铜合金
 表面处理: 镀银
 接触电阻: $\leq 0.2\text{m}\Omega$
 线径范围: 40~70mm²
 内六角扳手: SW-5*150
 剥线长度: 16mm
 拧紧力矩:
 . mm²: 25 35 50 70
 . N.m: 8 8 9 10

Technical specification:

Inserts:
 - No. of contact: 1
 - Rated current: 200A
 - Rated voltage: 1000V
 - Rated impulse voltage: 8kV
 - Pollution degree: 3
 - Rated voltage acc.to UL: 600V
 - Insulation resistance: $10^9 \Omega$
 - Material: polycarbonate
 - Colour: RAL 7032(light grey)
 - Temperature range: $-40 - +125$
 - Flammability acc.to UL 94: V0
 - Mating cycles: ≥ 500
 Contacts:
 - Terminal: axial screw terminal
 - Material: copper alloy
 - Surface: hard-silver plated
 - Contact resistance: $0.2\text{m}\Omega$
 - Wire gauge: 40-70 mm²
 - Hexagonal driver: SW-5*150
 - Stripping length: 16mm
 - Tightening torque:
 • mm²: 25 35 50 70
 • N.m: 8 8 9 10

Tolerance		SIGNATURE	DATE	Units	mm	 宁波欧科瑞连接器有限公司 NINGBO OUKERUI CONNECTOR CO., LTD.
0~ ≤ 20	± 0.15	DRAW		Size	A4	
20~ ≤ 50	± 0.25	DESIGN		Scale		PART NAME: HZW-H2MK-001.2-M
50~ ≤ 80	± 0.35	CHECK		Sheet		Drawing NO.
80~ ≤ 120	± 0.50	APPROVE		Proj.	 Material	REV
						A