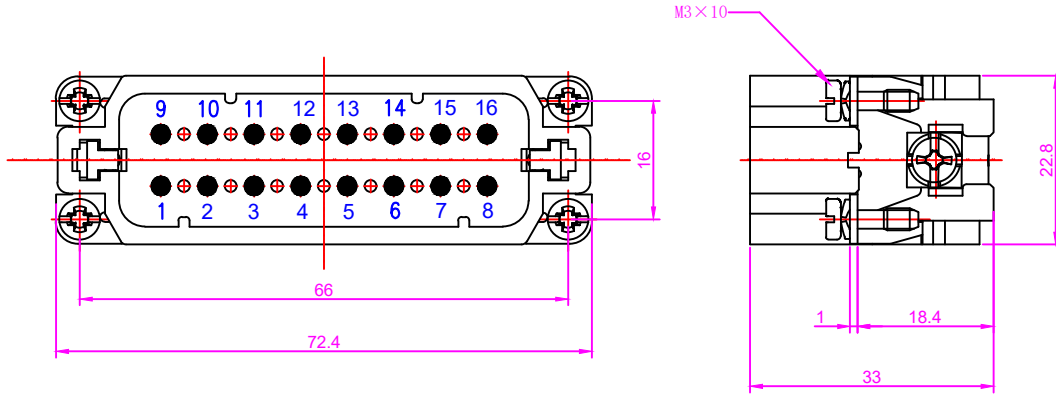
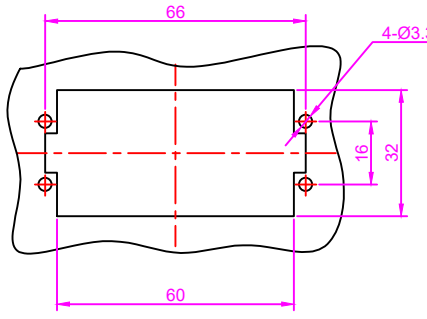


| REVISION DATA |     |             |      |          |
|---------------|-----|-------------|------|----------|
| SYM           | ECN | DESCRIPTION | DATE | APPROVED |
|               |     |             |      |          |
|               |     |             |      |          |



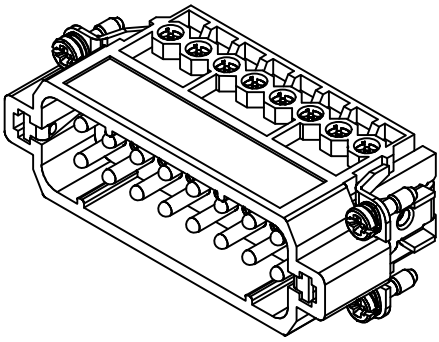
技术参数:  
 插芯:  
 插针数: 10+PE  
 额定电流: 16A  
 工作电压: 250V  
 额定脉冲电压: 4KV  
 污染等级: 3  
 依据UL/CSA的额定电压: 600V  
 绝缘阻抗:  $\geq 10^{10}\Omega$   
 材料: 聚碳酸酯  
 温度范围:  $-40^{\circ}\text{C} \sim +125^{\circ}\text{C}$   
 依据UL94的阻燃等级: V0  
 可插拔次数:  $\geq 500$

Specifications:  
 Inserts:  
 Number of contacts: 10+PE  
 Rated current: 16A  
 Rated voltage: 250V  
 Rated impulse voltage: 4KV  
 Pollution degree: 3  
 Rated voltage acc. to UL/CSA: 600V  
 Insulation resistance:  $\geq 10^{10}\Omega$   
 Material: Polycarbonate  
 Limiting temperatures:  $-40^{\circ}\text{C} \sim +125^{\circ}\text{C}$   
 Flammability acc. to (UL94): V0  
 Mechanical working life -mating cycles:  $\geq 500$


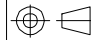


插针:  
 接线方式: 螺钉连接  
 材料: 铜合金  
 表面处理: 镀银  
 接触电阻:  $\leq 1\text{m}\Omega$   
 线径范围: 1.0~2.5mm<sup>2</sup> (AWG18-14)  
 拧紧力矩: 0.5N·m

Contacts:  
 Terminal: screw terminal  
 Material: Brass  
 Surfac: hard-silver plated  
 Contact resistance:  $\leq 1\text{m}\Omega$   
 Crimp terminal  
 Wire gauge--mm<sup>2</sup>: 1.0~2.5mm<sup>2</sup>  
 Wire gauge--AWG: 18-14  
 Tightening/Test torque: 0.5N·m



面板开孔图  
 Panel cut

|                |            |           |      |       |                                                                                       |                                                                                                                                        |     |
|----------------|------------|-----------|------|-------|---------------------------------------------------------------------------------------|----------------------------------------------------------------------------------------------------------------------------------------|-----|
| Tolerance      |            | SIGNATURE | DATE | Units | mm                                                                                    |  宁波欧科瑞连接器有限公司<br>NINGBO OKERUI CONNECTOR CO.,LTD. |     |
| 0~ $\leq 20$   | $\pm 0.15$ | DRAW      |      | Size  | A4                                                                                    |                                                                                                                                        |     |
| 20~ $\leq 50$  | $\pm 0.25$ | DESIGN    |      | Scale |                                                                                       | PART NAME: HZW-HA-016-M                                                                                                                |     |
| 50~ $\leq 80$  | $\pm 0.35$ | CHECK     |      | Sheet |                                                                                       | Drawing NO.                                                                                                                            | REV |
| 80~ $\leq 120$ | $\pm 0.50$ | APPROVE   |      | Proj. |  | Material                                                                                                                               | A   |