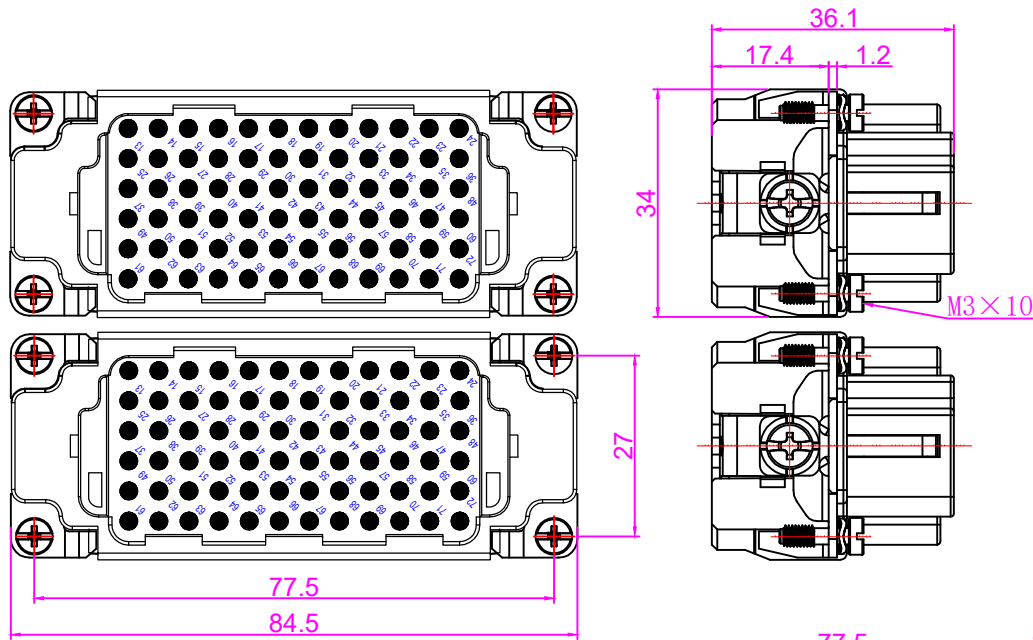


| | | | | |
|-----|-----|---------------|------|----------|
| | | REVISION DATA | | |
| SYM | ECN | DESCRIPTION | DATE | APPROVED |
| | | | | |

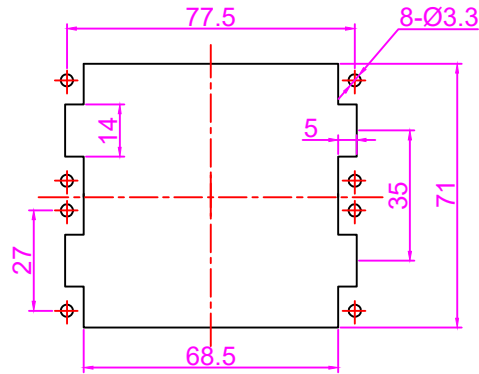


技术参数:
 插芯:
 插针数: 144+PE
 额定电流: 10A
 工作电压: 250V
 额定脉冲电压: 4KV
 污染等级: 3
 依据UL/CSA的额定电压: 600V
 绝缘阻抗: $\geq 10^{10} \Omega$
 材料: 聚碳酸酯
 温度范围: $-40^{\circ}\text{C} \sim +125^{\circ}\text{C}$
 依据UL94的阻燃等级: V0
 可插拔次数: ≥ 500

Specifications:
 Inserts:
 Number of contacts: 144+PE
 Rated current: 10A
 Rated voltage: 250V
 Rated impulse voltage: 4KV
 Pollution degree: 3
 Rated voltage acc. to UL/CSA: 600V
 Insulation resistance: $\geq 10^{10} \Omega$
 Material: Polycarbonate
 Limiting temperatures: $-40^{\circ}\text{C} \sim +125^{\circ}\text{C}$
 Flammability acc. to (UL94): V0
 Mechanical working life -mating cycles: ≥ 500

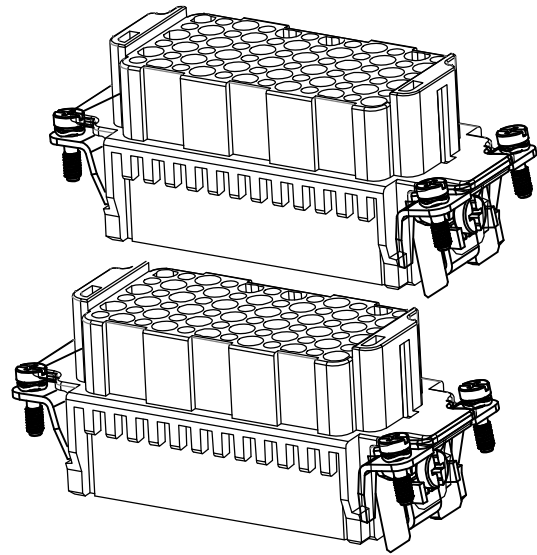
插针:
 接线方式: 冷压连接
 材料: 铜合金
 表面处理: 镀银 镀金
 接触电阻: $\leq 3\text{m}\Omega$
 线径范围: $0.14 \sim 2.5\text{mm}^2$ (AWG26-14)


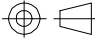
Contacts:
 Terminal: Crimp terminal
 Material: Brass
 Surf: hard-silver plated/Gold plated
 Contact resistance: $\leq 3\text{m}\Omega$
 Crimp terminal
 Wire gauge-- mm^2 : $0.14 \sim 2.5\text{mm}^2$
 Wire gauge--AWG: 26-14



面板开孔图

Panel cut



| | | | | | | | |
|----------------|------------|-----------|------|-------|---|---|-----|
| Tolerance | | SIGNATURE | DATE | Units | mm |  宁波欧科瑞连接器有限公司 NINGBO OUKERUI CONNECTOR CO.,LTD. | |
| 0~ ≤ 20 | ± 0.15 | DRAW | | Size | A4 | | |
| 20~ ≤ 50 | ± 0.25 | DESIGN | | Scale | | PART NAME: HZW-HDD-144-F | |
| 50~ ≤ 80 | ± 0.35 | CHECK | | Sheet | | Drawing NO. | REV |
| 80~ ≤ 120 | ± 0.50 | APPROVE | | Proj. |  | Material | A |